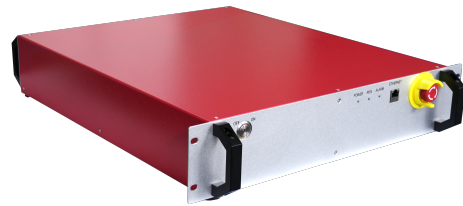


A O B L A S E R

# AOB-2000/2000-L2-W

en | Data sheet | 1.0

- Especially developed for demanding laser cutting and welding applications
- Double fiber core and programmable beam profile for different industrial processes with just one laser
- Compact, weight-reduced design for easy system integration



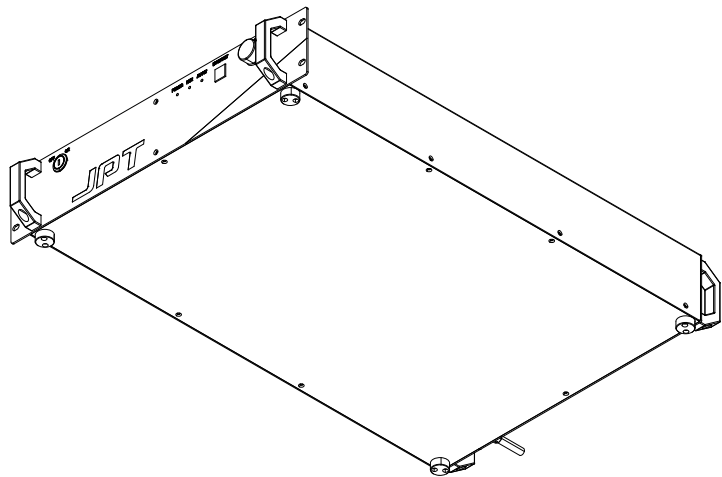
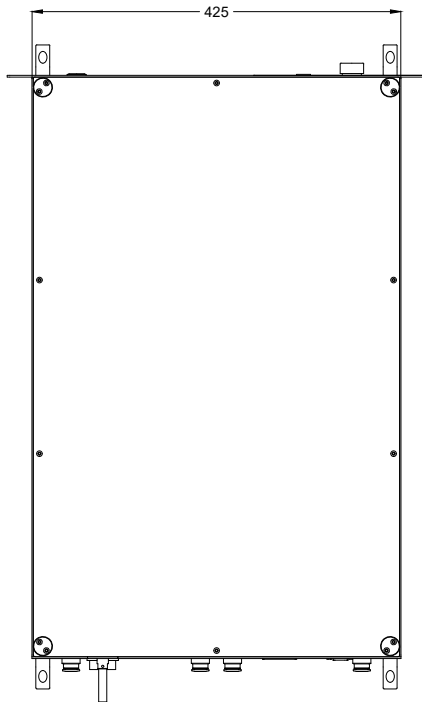
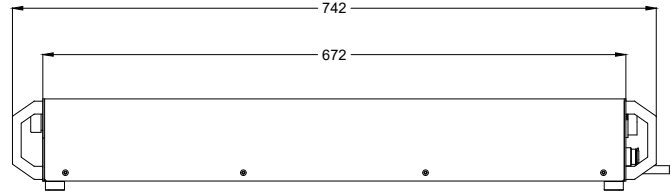
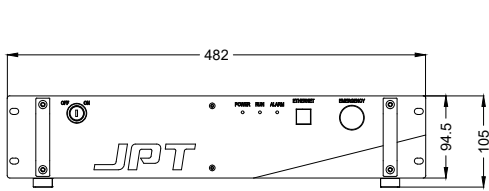
Wavelength	1080 nm	Polarization	Random
Total output power Ø	4000 W	Anti-reflective coating	Standard
Central beam output power	2000 W	Fiber length	10 m
Annular beam output power	2000 W	Cooling method	water
Laser operation mode	CW, modulated	Cooling flowrate	30 l/min
Central beam parameter product	2.2 mm*mrad <sup>[1]</sup>	Aiming beam	Standard
Annular beam parameter product	7 mm*mrad <sup>[1]</sup>	Output type	QBH
Central fiber core diameter	50 µm <sup>[2]</sup>	Supply voltage AC	380 V
Outer ring fiber core diameter	150 µm	Power consumption @ 20°C	12 kW
Modulation frequency	1 Hz – 10 kHz	Operation temperature	10 – 40 °C
Power instability Ø	2%	Storage temperature	-10 – 60 °C
Power tuning range	0 – 100%	Mechanical dimensions (W × D × H)	482 × 742 × 105 mm
		Net weight	43 kg

Product customizations are possible on request.

<sup>[1]</sup> Depends on Fiber Core Diameter and Fiber Length

<sup>[2]</sup> Other available fiber core diameter combinations: 34 µm / 102 µm; 100 µm / 300 µm





Laser product  
Class 4

## JPT

Manufacturer

AOB laser

AOB-2000/2000-L2-W

Dimensions are given in millimeters and are intended as reference values.  
Binding information is available on request.

