

C O 2 L A S E R

# VJ-C150W [10.6]

en | Data sheet | 1.2

- Economical CO2 laser source, 150 Watt
- QCW and CW operation at 10600 nm
- Pulse peak power at 375 Watt
- High reliability for industrial use

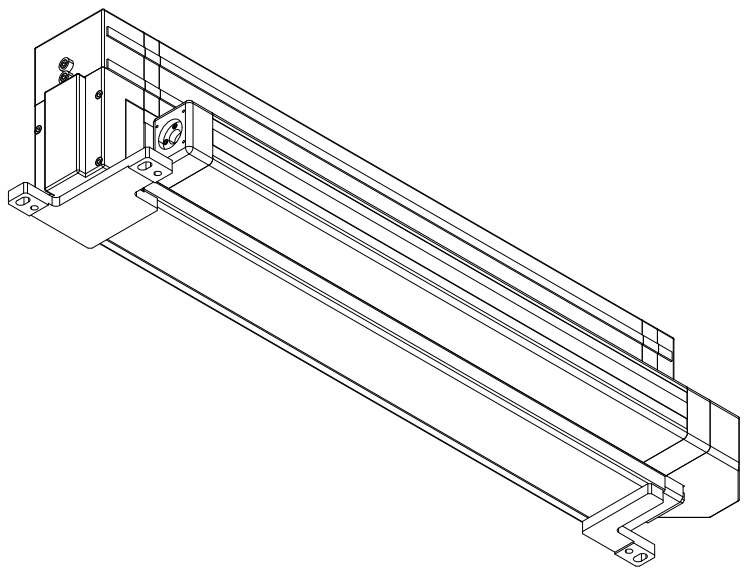
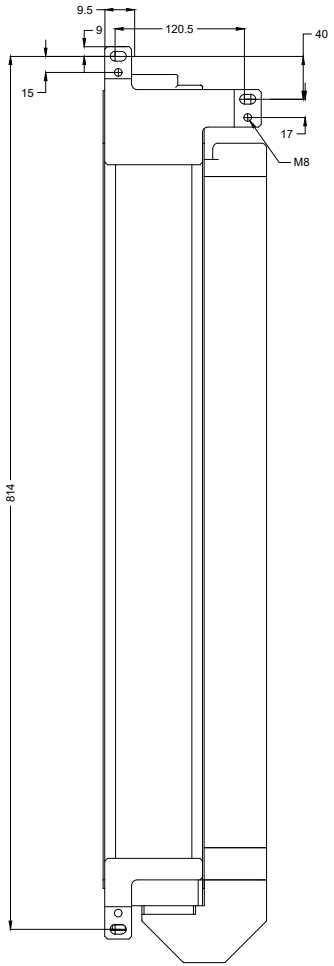
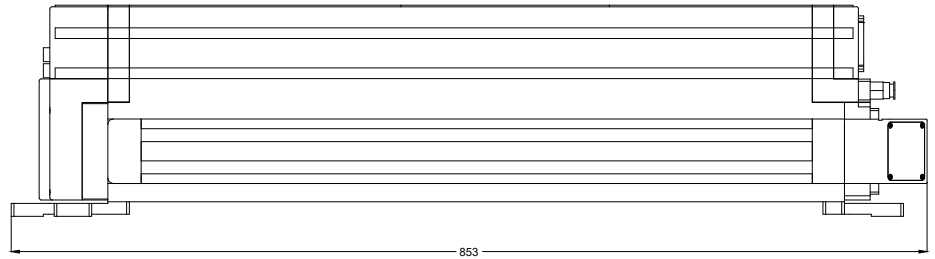
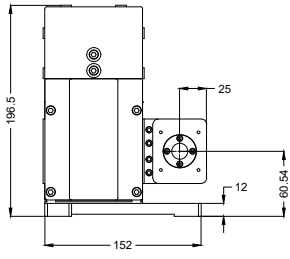


Wavelength	10600 nm	Cooling flowrate	5.7 l/min
Nominal output power	150 W	Cooling power	2.9 kW
Laser operation mode	Pulsed	Supply voltage DC	48 V
Beam quality ( $\leq$ )	1.5 M <sup>2</sup>	Current consumption	60 A
Max. peak pulse power	375 W	Power consumption @ 20°C	2900 W
Modulation frequency	1 – 50 kHz	Operation temperature	5 – 40 °C
Polarization	Parallel to base	Storage temperature	-10 – 60 °C
Beam diameter D4 $\sigma$	7 mm	Mechanical dimensions (W × D × H)	151.7 x 853 x 196.4 mm
Cooling method	Water	Net weight	22.5 kg

Product customizations are possible on request.

Information is subject to change without notice.  
Product photos are non-binding and may show customized features.





Laser product  
Class 4

C02 laser

VJ-C150W [10.6]

Dimensions are given in millimeters and are intended as reference values.  
Binding information is available on request.

