

F - T H E T A L E N S

f-575-14-10.6

en | Data sheet | 1.0

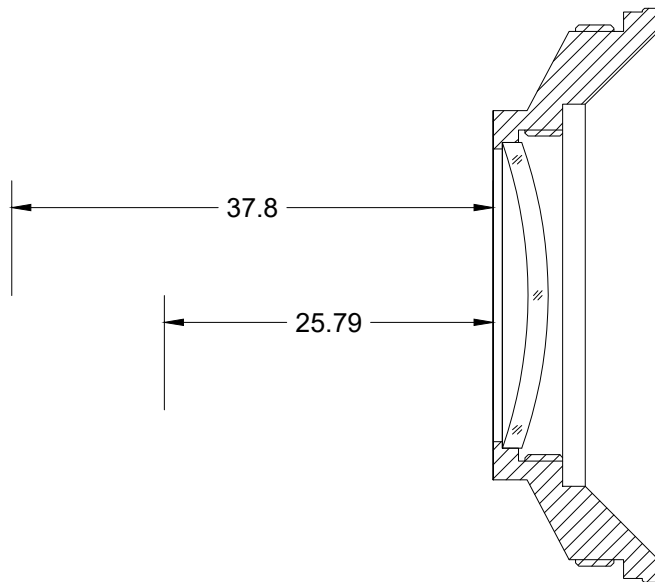
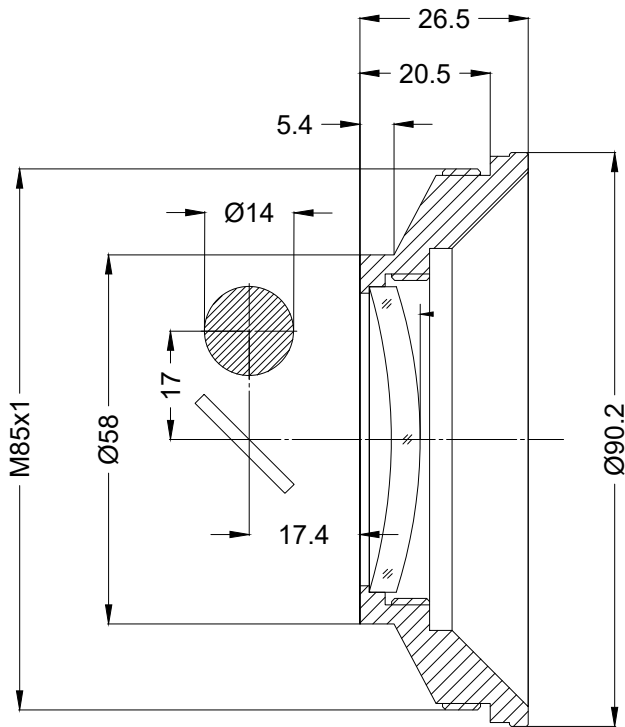
- F-Theta Lens 10600 nm, ZnSe
- Nominal focal length 575 mm
- Maximum input aperture 14 mm
- Maximum working area 400 x 400 mm



Wavelength	10600 nm	Minimum spot size	702.6 μ m
Nominal focal length	575 mm	Mirror distance m1/m2	17 / 17.4 mm
Effective focal length	575.000 mm	Anti-reflective coating	Standard
Flange focal length	566.456 mm	Cooling method	Air
Max. input beam diameter	14 mm	Lens material	ZnSe
Working distance	560.456 mm	Mounting thread	M85x1
Max. scan field	400 x 400 mm	Lens diameter	90.2 mm

Information is subject to change without notice.
Product photos are non-binding and may show customized features.





F-Theta lens

f-575-14-10.6

Dimensions are given in millimeters and are intended as reference values.
Binding information is available on request.

