

F - T H E T A L E N S

# f-160G-10-1064

en | Data sheet | 1.2

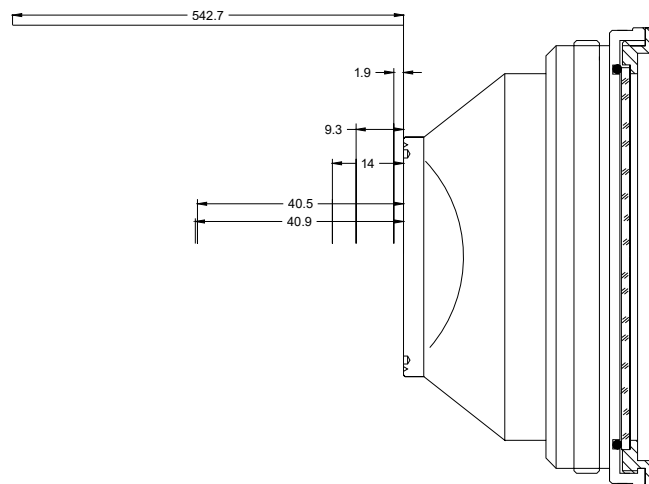
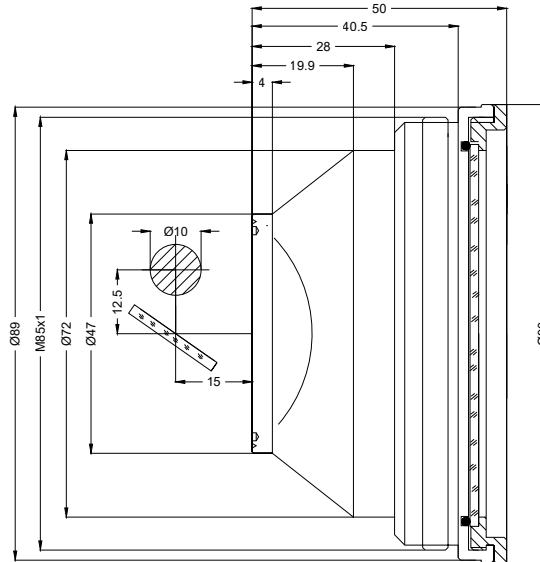
- F-Theta Focusing Lens, 1064 nm
- Nominal focal length 160 mm
- Max. input beam diameter 10 mm
- Maximum working area 110 x 110 mm



Wavelength	1064 nm	Mirror distance m1/m2	12.5 / 15 mm
Nominal focal length	160 mm	Anti-reflective coating	Standard
Effective focal length	160.025 mm	Cooling method	Air
Flange focal length	190.797 mm	Lens material	Optical glass
Working distance	181.297 mm	Mounting thread	M85x1
Max. scan field	110 x 110 mm	Lens diameter	90 mm
Minimum spot size	25.90 $\mu$ m		

Information is subject to change without notice.  
Product photos are non-binding and may show customized features.





F-Theta lens

f-160G-10-1064

Dimensions are given in millimeters and are intended as reference values.  
Binding information is available on request.

