

F - T H E T A L E N S

# f-163-20-1064

en | Data sheet | 1.1.1

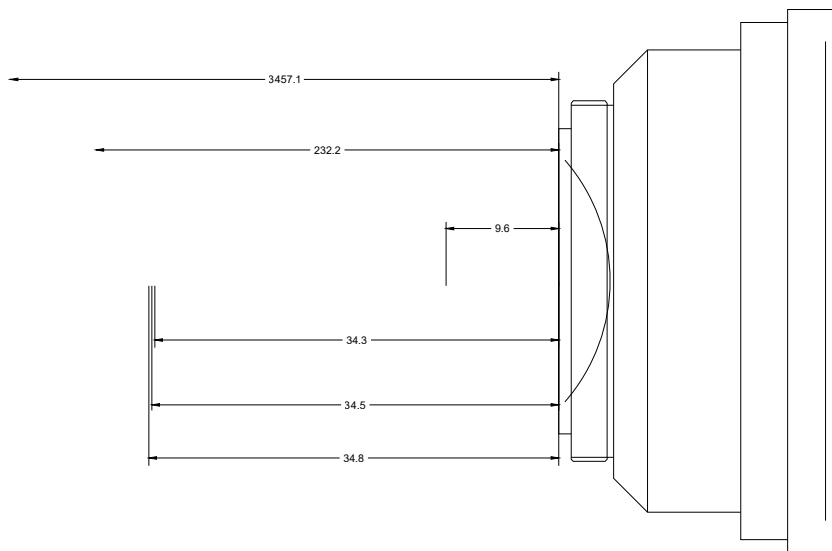
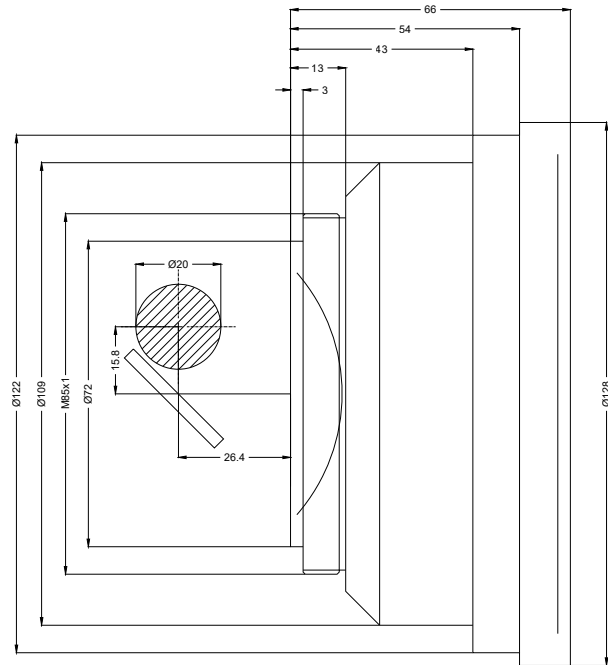
- F-Theta Focusing Lens, 1064 nm
- Nominal focal length 163 mm
- Max. input beam diameter 20 mm
- Maximum working area 110 x 110 mm



Wavelength	1064 nm	Mirror distance m1/m2	26.4 / 15.8 mm
Nominal focal length	163 mm	Anti-reflective coating	Standard
Effective focal length	163.000 mm	Cooling method	Air
Flange focal length	246.342 mm	Lens material	Optical glass
Working distance	193.342 mm	Mounting thread	M85x1
Max. scan field	110 x 110 mm	Lens diameter	128 mm
Minimum spot size	29,46 µm		

Information is subject to change without notice.  
Product photos are non-binding and may show customized features.





F-Theta lens

f-163-20-1064

Dimensions are given in millimeters and are intended as reference values.  
Binding information is available on request.

