

FIBER LASER

M7-20-E2

en | Data sheet | 1.0

- Extremely compact 20 Watt MOPA fiber laser
- Adjustable pulse width 2 – 500 ns
- Frequencies up to 4000 kHz
- Highly dynamic responsiveness
- Lightweight under 2 kg

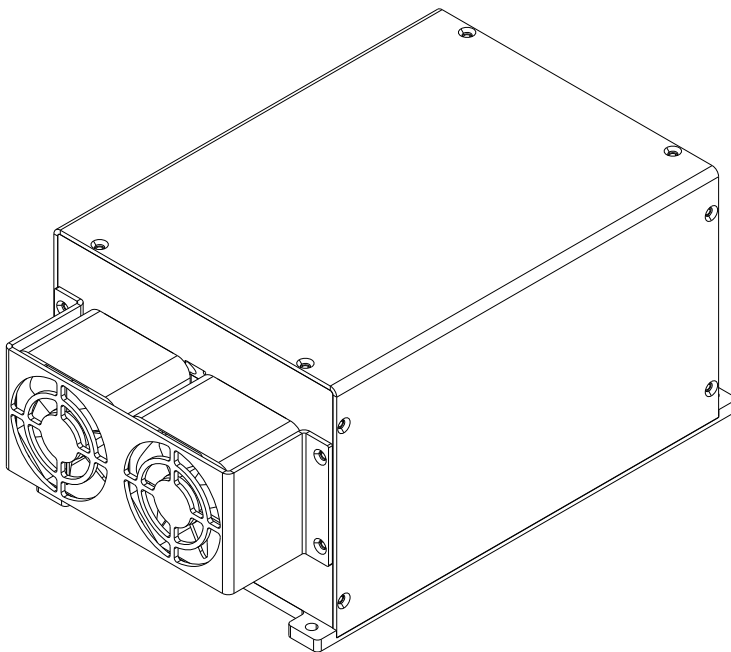
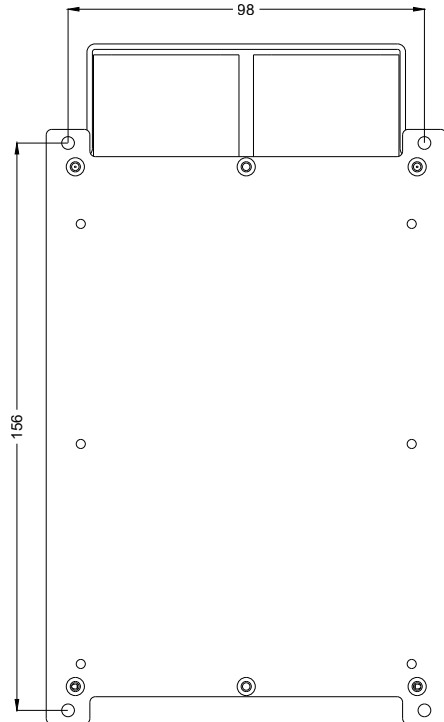
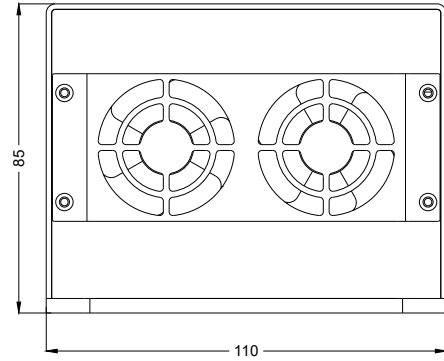
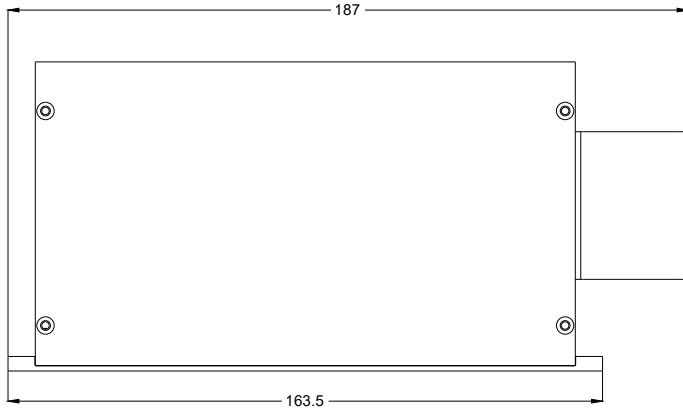


Wavelength	1064 nm	Beam diameter D4σ	7 mm
Nominal output power	20 W	Fiber length	2 m
Laser operation mode	Pulsed	Cooling method	Air
Beam quality (ε)	1.4 M ²	Aiming beam	Standard
Pulse frequency	1 – 4000 kHz	Adjustable pulse width	Yes
Full power frequency	25 – 4000 kHz	House keeping function	Standard
Max. peak pulse power	13 kW	Supply voltage DC	24 V
Pulse width	2 – 500 ns	Current consumption	5 A
Max. pulse energy	0.8 mJ	Power consumption @ 20°C	120 W
Power instability Ø	5%	Operation temperature	0 – 40 °C
Power tuning range	0 – 100%	Storage temperature	-10 – 60 °C
Polarization	Random	Mechanical dimensions (W × D × H)	110 × 85.5 × 188 mm
Anti-reflective coating	Standard	Net weight	1.86 kg

Product customizations are possible on request.

Information is subject to change without notice. Product photos are non-binding and may show customized features.





Laser product
Class 4

JPT

Manufacturer

Fiber laser

M7-20-E2

Dimensions are given in millimeters and are intended as reference values.
Binding information is available on request.

