

FIBER LASER

M7-60-E2

en | Data sheet | 1.0.2

- Extremely compact 60 Watt MOPA fiber laser
- Maximum pulse energy up to 2 mJ
- Frequencies up to 4000 kHz
- Adjustable pulse widths 2 – 500 ns
- Lightweight under 4.5 kg

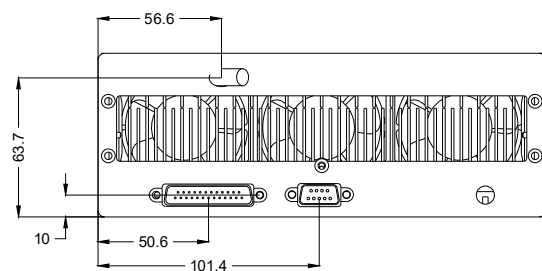
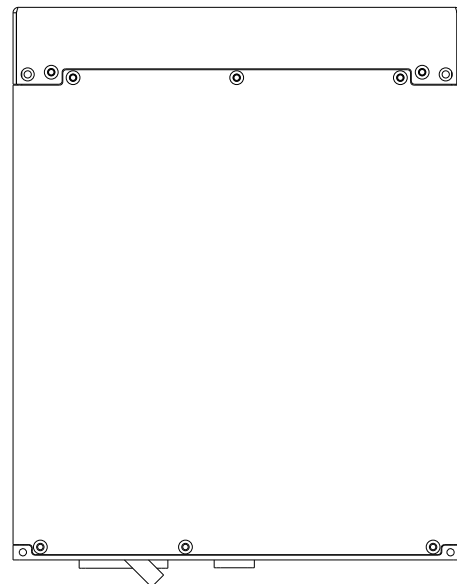
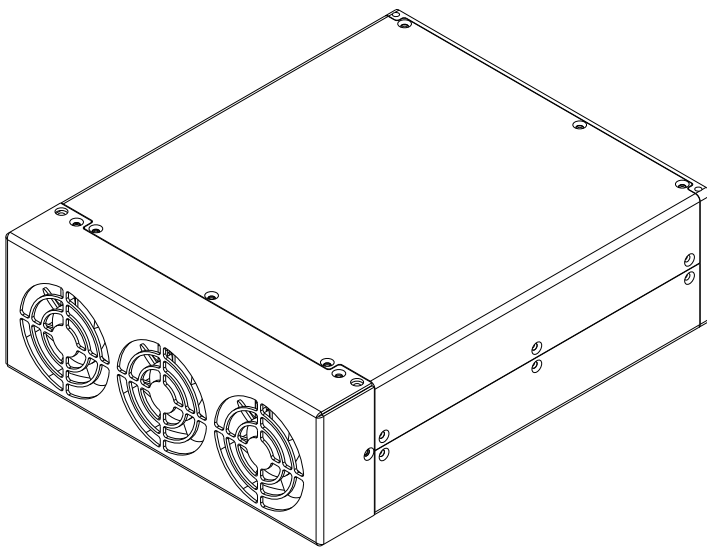
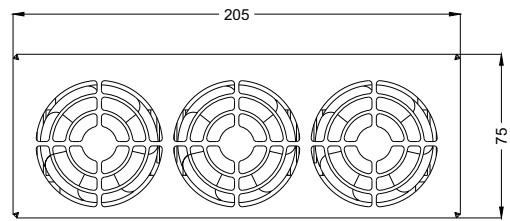
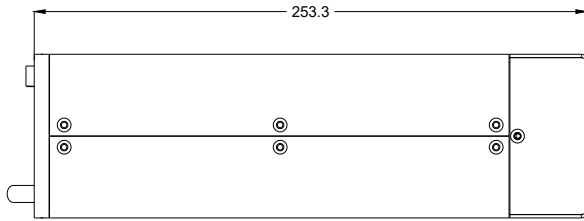


Wavelength	1064 nm	Beam diameter D4σ	7 mm
Nominal output power	60 W	Fiber length	3 m
Laser operation mode	Pulsed	Cooling method	Air
Beam quality (M ²)	1.5 M ²	Aiming beam	Standard
Pulse frequency	1 – 4000 kHz	Adjustable pulse width	Yes
Full power frequency	30 – 4000 kHz	House keeping function	Standard
Max. peak pulse power	11 kW	Supply voltage DC	24 V
Pulse width	2 – 500 ns	Current consumption	13 A
Max. pulse energy	2 mJ	Power consumption @ 20°C	300 W
Power instability Ø	5%	Operation temperature	0 – 40 °C
Power tuning range	0 – 100%	Storage temperature	-10 – 60 °C
Polarization	Random	Mechanical dimensions (W × D × H)	253.3 × 75 × 205 mm
Anti-reflective coating	Standard	Net weight	4.1 kg

Product customizations are possible on request.

Information is subject to change without notice. Product photos are non-binding and may show customized features.





Laser product
Class 4

JPT

Manufacturer

Fiber laser

M7-60-E2

Dimensions are given in millimeters and are intended as reference values.
Binding information is available on request.

