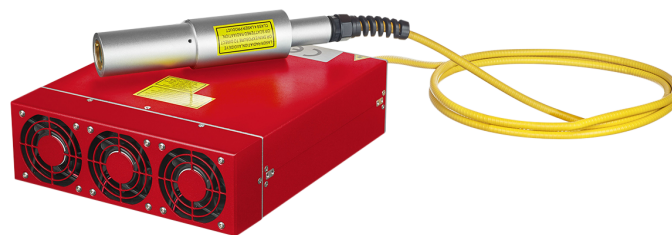


FIBER LASER

M7-20E

en | Data sheet | 1.1.6

- Long-life 20 Watt MOPA fiber laser
- Adjustable pulse width 2 – 500 ns
- Frequencies up to 4000 kHz
- Highly dynamic responsiveness
- Very compact design



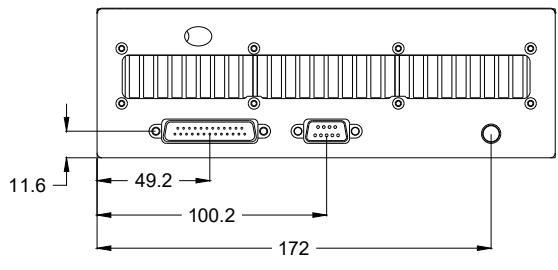
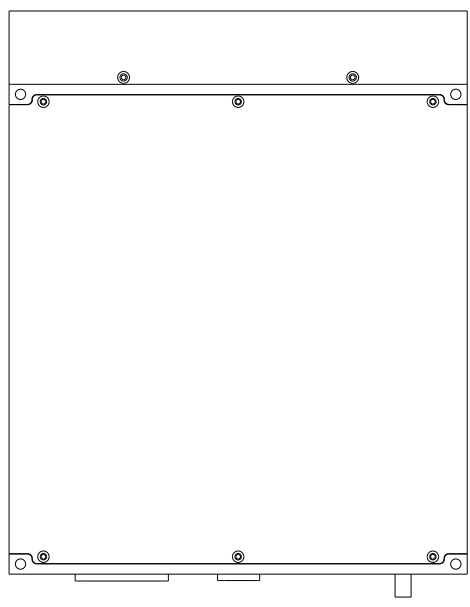
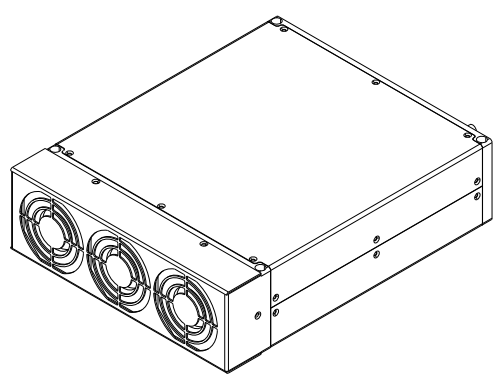
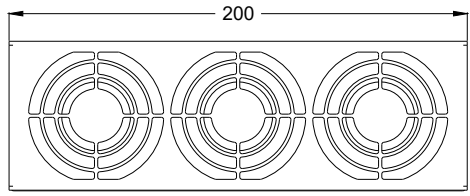
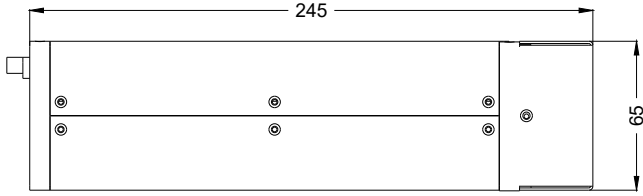
Wavelength	1064 nm	Fiber length	2 m ^[2]
Nominal output power	20 W	Typical lifetime diodes	80000 h
Laser operation mode	Pulsed	Cooling method	Air
Beam quality (M ²)	1,4 M ²	Aiming beam	Standard
Pulse frequency	1 – 4000 kHz	Adjustable pulse width	Yes
Full power frequency	25 – 4000 kHz	House keeping function	Standard
Max. peak pulse power	16 kw @ 45 ns	Supply voltage DC	24 V
Pulse width	2 – 500 ns	Input current	5,8 A
Max. pulse energy	0.8 mJ @ 500 ns	Power consumption @ 20°C	140 W
Power instability Ø	5%	Operation temperature	0 – 40 °C
Power tuning range	0 – 100%	Storage temperature	-10 – 60 °C
Polarization	Random	Mechanical dimensions (W × D × H)	200 × 65 × 245 mm
Anti-reflective coating	Standard	Net weight	3,73 kg
Beam diameter D4σ	7 mm ^[1]		

Product customizations are possible on request.

^[1] Other available beam diameters: 2.5 mm – 10.5 mm

^[2] Other available fiber lengths: 3 m / 5 m





Laser product
Class 4



Manufacturer

Fiber laser

M7-20E

Dimensions are given in millimeters and are intended as reference values.
Binding information is available on request.

