

FIBER LASER

M8-20

en | Data sheet | 1.2.1

- Very compact 20 Watt MOPA fiber laser
- Peak pulse powers up to 55 kW
- Maximum pulse energy 1.11 mJ @350 ns
- Variable adjustable pulse widths
- Low thermal impact

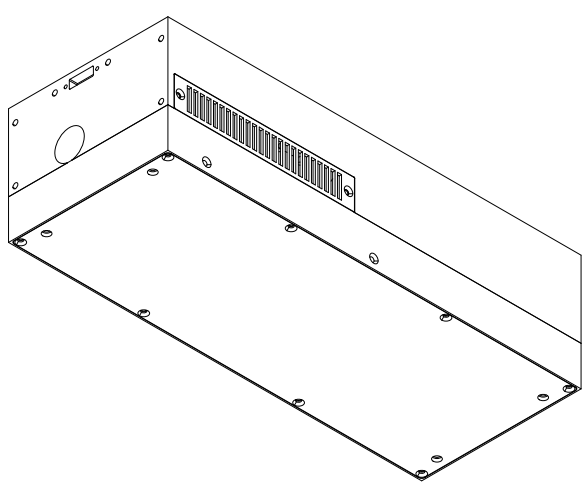
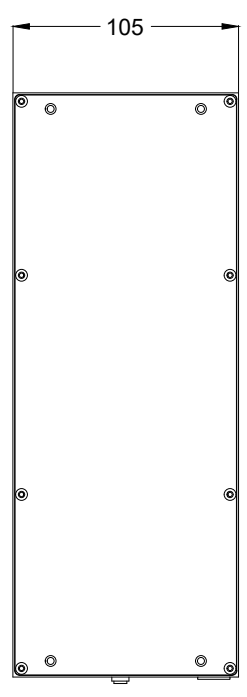
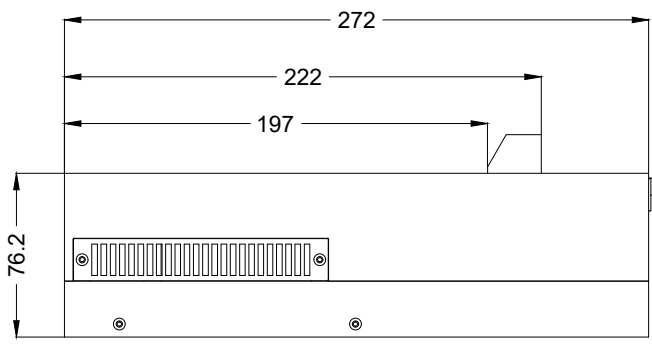
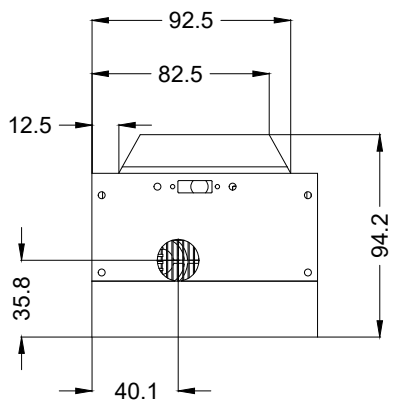


Wavelength	1064 nm	Beam diameter D4σ	7 mm ^[1]
Nominal output power	20 W	Cooling method	Air
Laser operation mode	Pulsed	Aiming beam	Standard
Beam quality (≤)	1.4 M ²	Adjustable pulse width	Yes
Pulse frequency	1 – 4000 kHz	House keeping function	Standard
Full power frequency	18 – 4000 kHz	Supply voltage DC	24 V
Max. peak pulse power	50 kW	Current consumption	5 A
Pulse width	1 – 350 ns	Power consumption @ 20°C	120 W
Max. pulse energy	1.11 mJ @ 350 ns	Operation temperature	0 – 40 °C
Power instability Ø	5%	Storage temperature	-10 – 60 °C
Power tuning range	0 – 100%	Mechanical dimensions (W × D × H)	105 × 76.2 × 272 mm
Polarization	Random	Net weight	2.7 kg
Anti-reflective coating	Standard		

Product customizations are possible on request.

^[1] Other available beam diameters: 2.5 mm - 10.5 mm





Manufacturer

Fiber laser

M8-20

Dimensions are given in millimeters and are intended as reference values.
Binding information is available on request.

