

2 D S C A N H E A D

# BS-30-W

en | Data sheet | 1.1.2

- 2-axis laser deflection unit, aperture 30 mm
- Laser power up to 3000 Watt, CW 1064 nm
- Temperature-optimized, water-cooled design
- Outstanding cost-effectiveness



Wavelength	1064 nm <sup>[1]</sup>	Long-term-drift per axis (8 h) (<)	200 µrad
Input beam diameter	30 mm	Cooling method	Water
Tracking delay	0.5 ms	Control interface	XY2-100-Standard
Writing speed	220 cps <sup>[2]</sup>	Humidity	80% <sup>[3]</sup>
Marking speed	1 m/s	Supply voltage DC	15 V
Max. optical deflection (±)	0.393 rad	Input current	5 A
Resolution	12 µrad	Operation temperature	10 – 40 °C
Repeatability (RMS) (<)	22 µrad	Storage temperature	-20 – 60 °C
Positioning noise (RMS)	4.5 µrad	Mechanical dimensions (W × D × H)	158 × 198 × 160 mm
Max. gain-drift per axis	50 ppm/K	Net weight	5 kg
Max. offset-drift per axis	30 µrad/K		

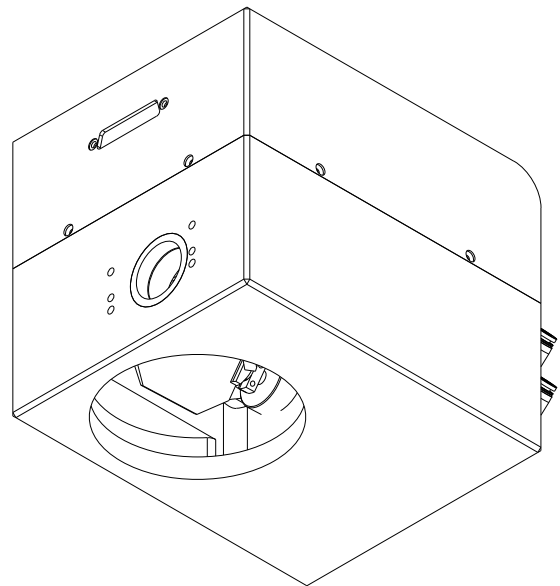
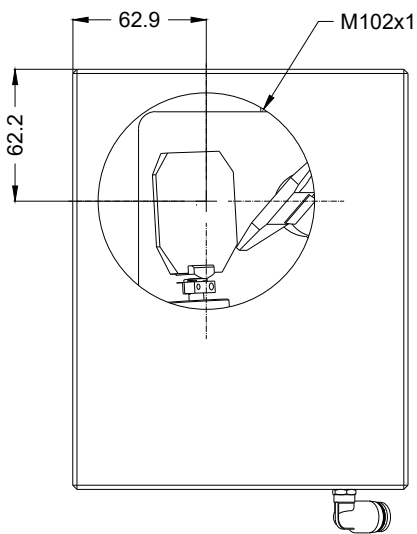
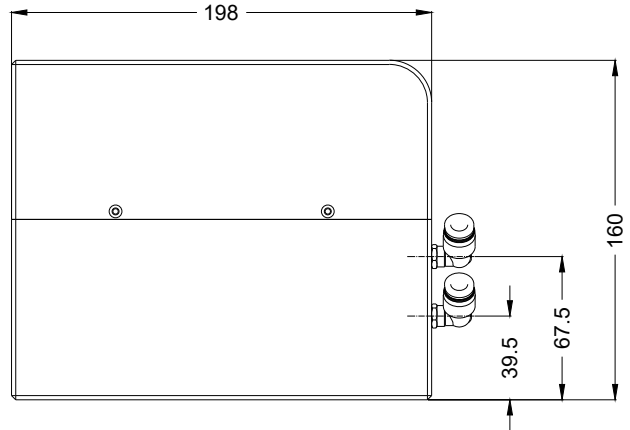
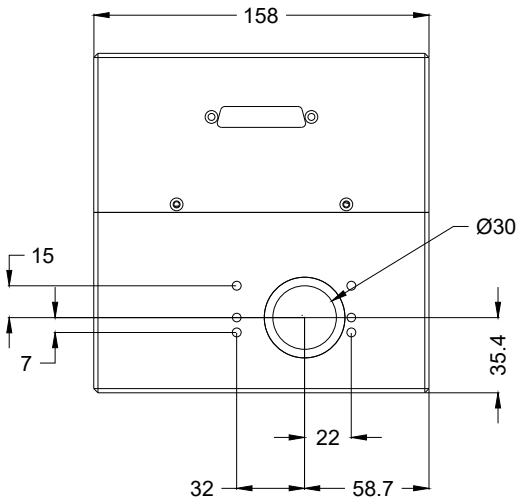
Product customizations are possible on request.

<sup>[1]</sup> Other available wavelengths: 10600 nm

<sup>[2]</sup> f=160 / height 1 mm

<sup>[3]</sup> Non condensing





2D scan head

BS-30-W

Dimensions are given in millimeters and are intended as reference values.  
Binding information is available on request.

