

2 D S C A N H E A D

# BS-8

en | Data sheet | 1.2

- 2-axis laser deflection unit, aperture 8 mm
- High speed and precision
- Compact temperature-optimized design
- Outstanding cost-effectiveness



Wavelength	1064 nm <sup>[1]</sup>	Long-term-drift per axis (8 h) (<)	300 µrad
Input beam diameter	8 mm	Cooling method	Passive
Tracking delay	0.12 ms	Control interface	XY2-100-Standard
Writing speed	900 cps <sup>[2]</sup>	Humidity	80% <sup>[3]</sup>
Max. optical deflection (±)	0.39 rad	Supply voltage DC	15 V
Resolution	12 µrad	Input current	3 A
Repeatability (RMS) (<)	22 µrad	Operation temperature	10 – 40 °C
Positioning noise (RMS)	4.5 µrad	Storage temperature	-20 – 60 °C
Max. gain-drift per axis	50 ppm/K	Mechanical dimensions (W × D × H)	89 × 109 × 92 mm
Max. offset-drift per axis	30 µrad/K	Net weight	1.2 kg

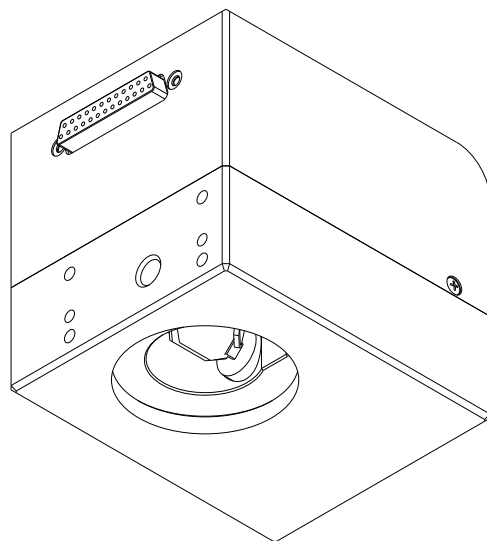
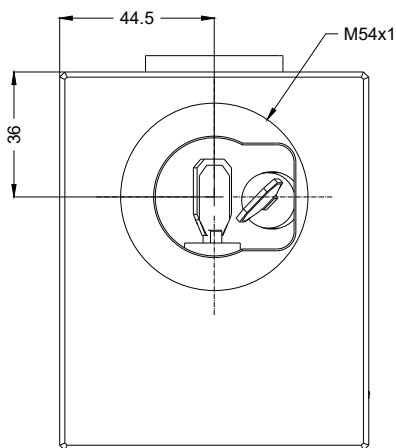
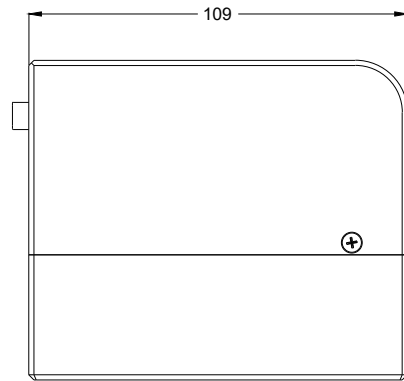
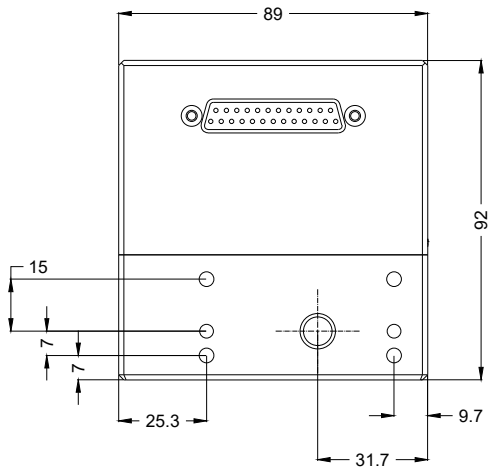
Product customizations are possible on request.

<sup>[1]</sup> Other available wavelengths: 355 / 532 / 10600 nm

<sup>[2]</sup> f=160 / Hight 1 mm

<sup>[3]</sup> Non condensing





2D scan head

BS-8

Dimensions are given in millimeters and are intended as reference values.  
Binding information is available on request.

